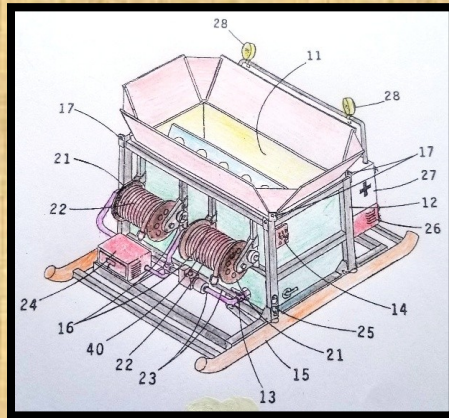


GLOBAL GREEN WORX INC.



PREPOSITION ROOF TOP SKIFF

[PRTS] P/N 201930

FIRE RESPONSE

FOR

**HIGH-RISE (>75 FT) SUPER (>984 FT) &
MEGA (>1968 FT) TALL BUILDING [NFPA]**

FIREGROUND

TACTICAL APPARATUS

**SUPPLEMENTING AND PROVIDING
FIRE SUPPRESSION, SELF-CONTAINED BREATHING
APPARATUS [SCBA] BOTTLES & FIRE DEPARTMENT
OUTSIDE FIXED GATEWAY FIRE SERVICE RADIO
FREQUENCIES [700Mhz & 800Mhz, UHF, VHF, VOLP DEVICES, CELL PHONES]**

FOR CERTAIN


NATURAL DISASTER, FIRES & EARTHQUAKES

GLOBAL GREEN WORX INC. MISSION STATEMENT

Global Green Worx Inc (GGW), a Disadvantaged Business Enterprise and Minority Business Enterprise certified by the City of Los Angeles under the California Unified Certification Program and The Supplier Clearing House - Southern California EDISON.


GGW was founded as a Technology Hub Company focusing on unaddressed Fire and Green Space Environment issues with innovative agriculture and aerospace solutions.

AVIATION BRUSH SKIFF ADVISORY COMMITTEE



JIM STUMPF
DEPUTY FIRE MANAGEMENT
AND AVIATION OFFICER

ANGELES NATIONAL FOREST (818) 574-5359
701 N. SANTA ANITA AVE. FTS 799-0050
ARCADIA, CA 91006-2799 NIGHT (818) 447-8991




(818) 890-5755

JAMES M. SANCHEZ
Chief, Air Operations
Services Bureau

COUNTY OF
LOS ANGELES
FIRE DEPARTMENT

Barton Heliport
12605 Osborne Street
Pacoima, California 91331




John Bryant
Emergency Operations Coordinator

Operations Coordination Center (714) 276-6511
U.S. Forest Service FTS 799-6511
2524 Mulberry Street 24 Hrs. (714) 276-6725
Riverside, CA 92501 Home (714) 795-7880



ENVIRONMENT ASSOCIATES, INC.

Environmental Test Chambers • Vibration Systems and Controllers
Environmental Testing Services • Vibration/Shock Test Fixturing

9604 Variel Avenue
Chatsworth, California 91311
(818) 709-1230
Fax: (818) 709-8914

LORI SMITH




JOHN LISTON
Aviation Operations Officer
Pacific Southwest Region

USDA Forest Service
Regional Aviation Group - Ontario
Ontario Int. Airport
Ontario, California 91761

276
(714) 991-6740
FTS 799-6740
DG-JOHN:R05H



AMAZING WELDING
WELDING - ERECTION - STRUCTURAL

SCOTT MIKS / Jim Mitchell

CALIFORNIA C51 LICENSE 875094
909-590-0393 FAX: 909-628-9923
SCOTT@MITCHELLAMAZING.COM
4564 MISSION BOULEVARD MONTCLAIR CALIFORNIA 91763




STEVE RAYBOULD
Program Assistant
Fire Management

444 East Bonita Avenue
San Dimas, CA 91773

(818) 332-6231
(714) 599-1267
FTS: 793-8250
DG: WO7A

U.S. Forest Service • Technology & Development Center

Michael Baker
INTERNATIONAL

Bo Burick, PE
Vice President
Structural Engineering

5 Hutton Centre Drive, Suite 500, Santa Ana, CA 92707
d: 949-855-5733
burick@mbakerintl.com

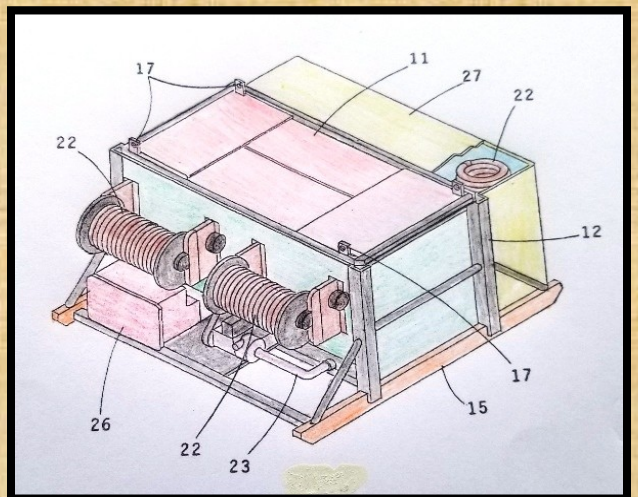
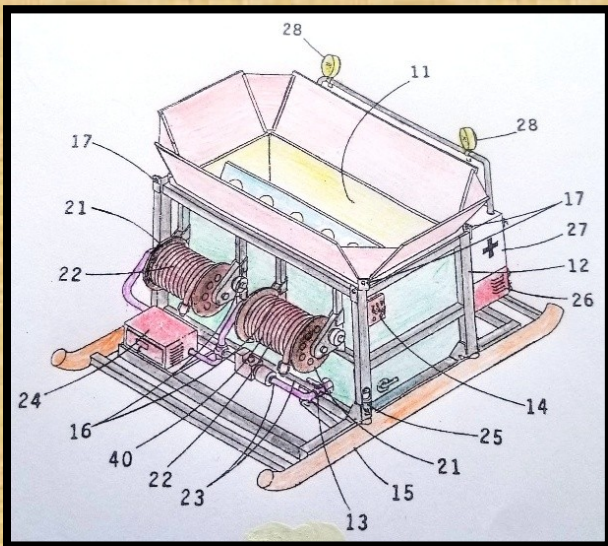
MORE FIRST RESPONDER CAPABILITY WITH A PRTS SKIFF FOR

IC RESPONSE CONSIDERATIONS:

- 1. WATER SOURCE FOR TALL MEGA BUILDING DURING ERECTION ,CONSTRUCTION AND OCCUPANCY**
- 2. EMERGENCY RESPONSE AND FIREFIGHTING**

✓ SKIFF [MATERIAL: AEROSPACE 5083 AL & 6061 AL] Chassis Feature:

- Gross Skiff Weight Empty: 5000 pounds (2300 kg)
- Gross Skiff & Payload: 30,000 pounds (13600 kg)
- Water Capacity: 3000 gallons (11356 liters)
- All Aluminum Constructed with poly water tank
- Optional Honda driven Darley-Davey Pump, Hannay Reels, and Scotty Foam System[Ultra-high-pressure pumps = 1200psi vs 100 to 200psi used in low-pressure systems]
- Compressed Air Foam System [With a fire stream of 20-1 expansion ratio] – 3000 GAL EXPANSION RATIO= 60000 GAL



RED CROSS and PARTNER AGENCIES RESPONDING TO DISASTERS OF ALL SIZES AND TYPES WITH A PREPOSITION SKIFF FEATURES :

- 1. SCBA BREATHING APPARATUS BOTTLES RESUPPLY**
- 2. WATER OR BOTTLED WATER RELIEF SUPPLIES**
- 3. NON - PERISHABLE FOOD, MEDICATION, SANITATION AND SHELTER SUPPLIES**
- 4. SEARCH AND RESCUE MISSIONS FLOOD LIGHTING , BATTERY CHARGING , STORAGE AREAS AND ETC.**
- 5. EASILY TRUCKED OR HELICOPTER IN OR OUT FOR IMMEDIATE RELOCATION TO HIGH GROUND OR SAFE AREAS**
- 6. FIREGROUND SKIFF - Easy Skid-On & Lift-Off**
as a
**Rural / Urban Brush Unit Rig For Firefighting
and /or Search & Rescue !**



PRTS CAN BE LOADED AND DEPLOYED ON SHORT NOTICE

- **TAKES LESS THAN 30 MINUTES TO LOAD A PRTS UNIT ONTO A HELICOPTER.**
- **CAN BE REFILLED AND OPERATIONAL AGAIN IN LESS THAN 20 MINUTES.**
 - **CAN BE FILLED WITH EITHER WATER OR CLASS A FOAM**
- **PRTS HAS THE ABILITY TO CARRY AND DISCHARGE WATER AND CLASS A FOAM ON DEMAND.**
- **USERS NEED TO PRIORITIZE THE EXPECTED MISSIONS AND APPARATUS LOAD-OUT OF EACH DEPLOYING PRTS IN ORDER TO GET THE JOB DONE EFFICIENTLY AND EFFECTIVELY IN A TIMELY MANNER.**
- **CREWS WHO DEPLOY PRTS MISSIONS SHOULD PARTICIPATE IN ANNUAL RECURRENCE TRAINING.**

CONTACT

FRANK GARCIA, P.E., MBA

FRANK.GARCIA@GLOBALGREENWORX.COM

PH: 626-257-1149

RICHARD SIMPSON, PhD

RICHARD.SIMPSON@GLOBALGREENWORX.COM

PH: 951-237-4791

WWW.GLOBALGREENWORX.COM